

FRC SERIES

Tank Clean-out Cover



**FILTRATION
PRODUCTS
CORP.**

(763) 428-6415

Fax: (763) 428-8659

18151 Territorial Road

Dayton, MN 55369

www.filtrationproducts.com

FEATURES

Finish: Plain Steel Or Yellow Zinc Plated

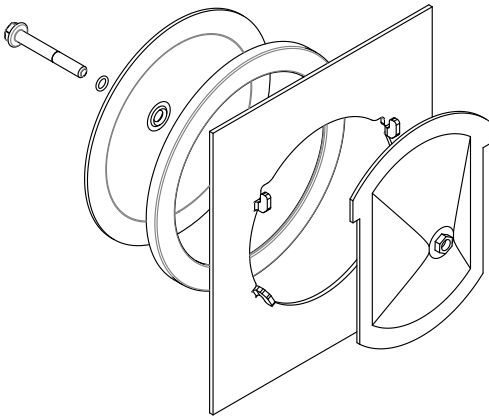
Gasket Standard Material Is Nitrile

High Temperature Cork/Poly Acrylic Rubber Available For Powder Paint Coated Applications

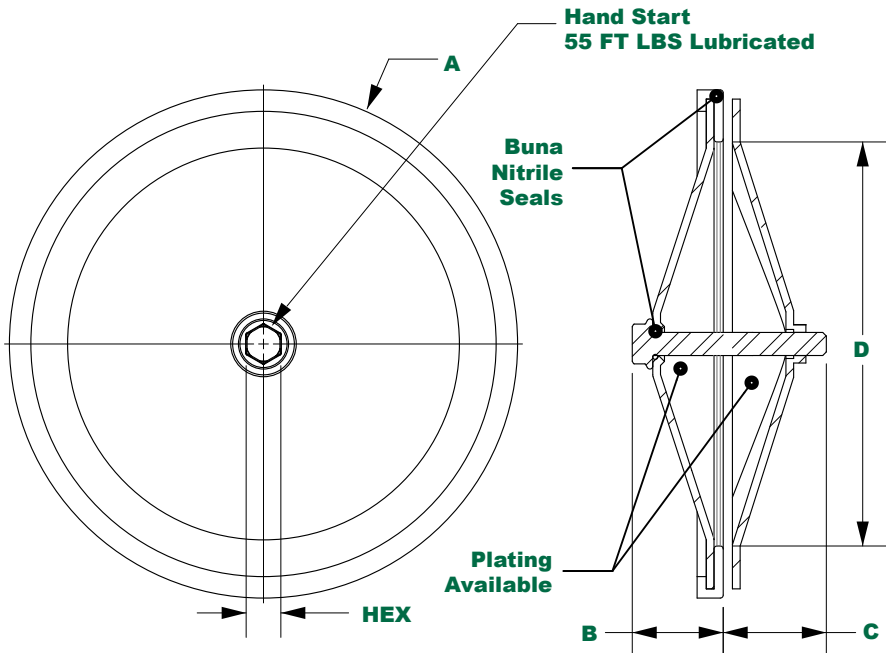
Tab Benders Available For Purchase (Typically For 7 Gage Material)

FRC SERIES

Tank Clean-out Cover



DIMENSIONS



US PATENT 7,721,904

ORDERING CODE

SERIES



COVER SIZE

- 06 · 6" Diameter
- 08 · 8" Diameter
- 10 · 10" Diameter
- 12 · 12" Diameter
- 14 · 14" Diameter

PLATING

- YZ · Yellow Zinc
- UP · Unplated

GASKET/O-RING

- BN · Buna N Nitrile

NOTE: Contact factory for Cork/Poly Acrylic Rubber availability

SPECIFICATIONS

PART NUMBER	DIMENSIONS					FINISH
	A	B	C	D	HEX	
FRC-06-UP-BN	6.00"	1.29"	1.88"	5.00"	18mm	Unplated
FRC-06-YZ-BN	6.00"	1.29"	1.88"	5.00"	18mm	Plated
FRC-08-UP-BN	8.25"	1.31"	1.86"	6.00"	18mm	Unplated
FRC-08-YZ-BN	8.25"	1.31"	1.86"	6.00"	18mm	Plated
FRC-10-UP-BN	10.38"	1.86"	2.11"	8.00"	18mm	Unplated
FRC-10-YZ-BN	10.38"	1.86"	2.11"	8.00"	18mm	Plated
FRC-12-UP-BN	12.38"	2.23"	2.17"	10.00"	18mm	Unplated
FRC-14-UP-BN	14.38"	2.63"	2.81"	12.00"	0.75"	Unplated