

# 80 SERIES

## Dual Spin-On Filter Head

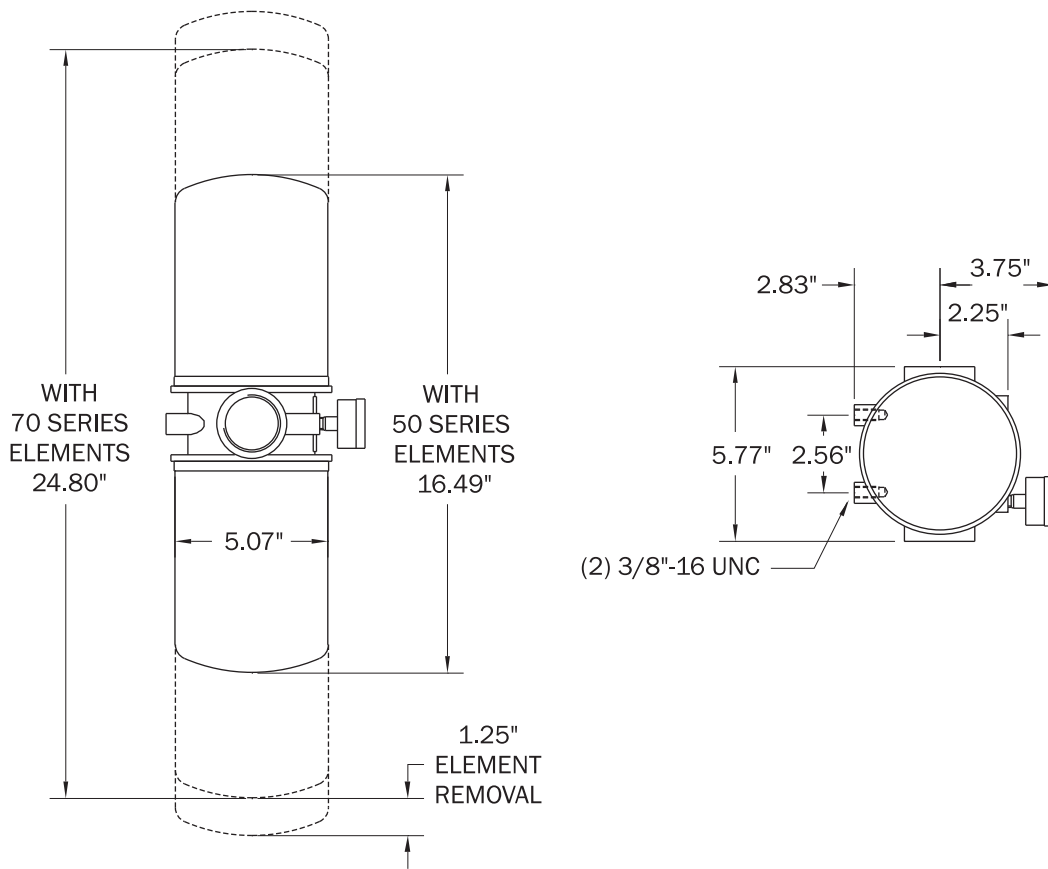
Suction and return lines.  
Port size 1-1/2" NPT or SAE-24.  
Cellulose, water removal, wire mesh and absolute rated media.  
Post accepts both US and European elements.  
1/8" NPT gauge ports standard.



### SPECIFICATIONS

<b>Working Pressure</b>	200 PSI (13.7 BAR) Maximum 75 PSI Maximum without bypass
<b>Flow Capacity</b>	100 GPM (378 LPM)
<b>Operating Temperature</b>	225 F° (107 C°) Maximum
<b>Shipping Weight</b>	2.8 lbs
<b>Fluid Compatability</b>	Petroleum based oils, high water based fluids, water glycols and oil/water emulsions.
<b>By-Pass Valve Cracking Pressure</b>	3, 5, 15, 25 PSI by-pass available. All sizes +/- 10% of setting
<b>By-Pass Valve</b>	Nylon-glass filled poppet. Steel valve optional
<b>Post Size</b>	1-1/2" - 16 SAE + 1-1/4" BSP

# DIMENSIONS



# FILTER ELEMENTS

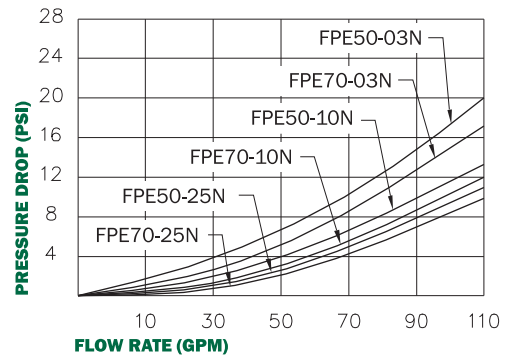
PART NUMBER	ELEMENT LENGTH	RATING B(x)=2/20/75	AREA (Sq. In.)	MEDIA TYPE
FPE50-03N	7"	1μ/8μ/12μ	850	Cellulose
FPE70-03N	11"	1μ/8μ/12μ	1530	Cellulose
FPE50-10N	7"	14μ/28μ/36μ	664	Cellulose
FPE70-10N	11"	14μ/28μ/36μ	1227	Cellulose
FPE50-25N	7"	16μ/35μ/47μ	568	Cellulose
FPE70-25N	11"	16μ/35μ/47μ	1052	Cellulose
FPE70-10W	11"	10μ/18μ/ -	648	Water Removal
FPE50-03G	7"	1.5μ/2.5μ/3μ	490	Microglass
FPE70-03G	11"	1.5μ/2.5μ/3μ	882	Microglass
FPE50-10G	7"	2μ/7μ/12μ	490	Microglass
FPE70-10G	11"	2μ/7μ/12μ	882	Microglass
FPE50-20G	7"	7μ/16μ/23μ	490	Microglass
FPE70-20G	11"	7μ/16μ/23μ	882	Microglass
FPE50-100M	7"	149μ	213	Wire Mesh
FPE70-100M	11"	149μ	365	Wire Mesh

# 80 SERIES

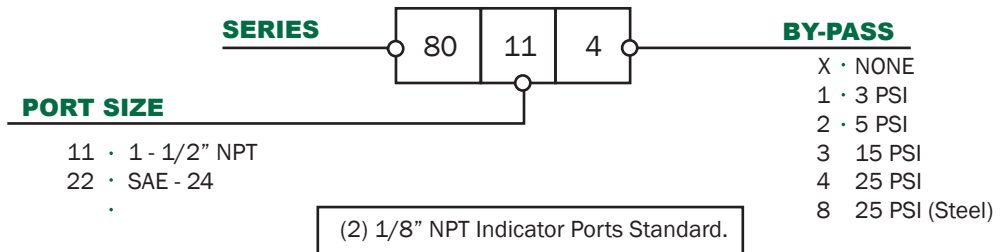


## Dual Spin-On Filter Head

### PRESSURE DROP



### ORDERING CODE



### ACCESSORIES

#### GAUGES

##### P77-7003

0-60 PSI Gauge (Indication at 15 PSI)

##### P77-7004

0-60 PSI Gauge (Indication at 25 PSI)

##### P77-7021

0-30" Hg Vacuum Gauge

#### SWITCHES

##### P77-7006

Electrical (with 12" wire leads)  
Set point (rising) 22 PSI

##### P77-7005

Electrical (with DIN 43650 connector)  
Set Point (rising) 22 PSI



## **FILTRATION PRODUCTS CORP.**

**(763) 428-6415**

Fax: (763) 428-8659

18151 Territorial Road

Dayton, MN 55369

[www.filtrationproducts.com](http://www.filtrationproducts.com)